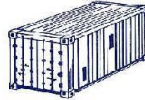




CHASSIS FOR ISO CONTAINERS (ISO Containers Transport)



20' Dry Freight Container



Payload 40,060lbs
Cubic Capacity: 1,164 cu. ft.
Interior Dimensions
L: 19'4"
W: 7'8"
H: 7'9"
Empty Weight: 5000-lbs.

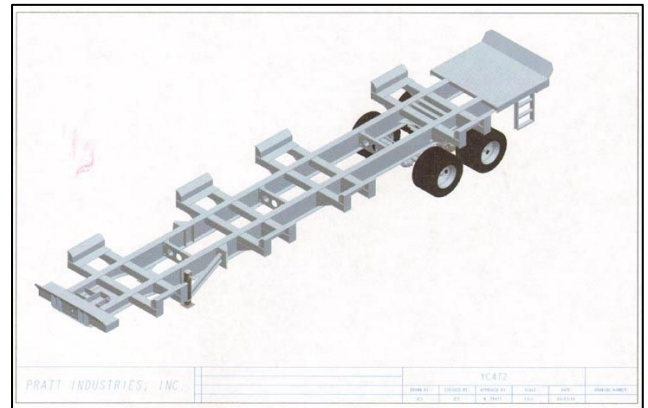
40' Dry Freight Container



Payload 58,720lbs
Cubic Capacity: 2,368 cu. ft.
Interior Dimensions
L: 39'5"
W: 7'8"
H: 7'9"
Empty Weight: 8500-lbs.



- Our Next-Generation ISO Container Chassis are highway legal.
- Since 1974, Pratt ISO Container Chassis are successfully operating around the USA and the World.
- Pratt used the heaviest duty steel, continuous Beams and Welds.
 - Spring or Air-Ride Suspensions, 2 or 3 axles available.



Container Set Up Possibilities:

- One (1) 45' ISO Containers
- One (1) 40' ISO Containers
- Two (2) 20' ISO Containers
- One (1) 20' ISO Container

**DEGA-Pratt Exports Department
Factory: Bridgman, Michigan USA**

**Tel: 972-479-0333
Fax: 972-479-0336
sales@dega.com**